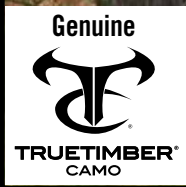


# Shed & Storage Series Shed-in-a-Box®

8 ft. x 8 ft. x 8 ft. 2,4 x 2,4 x 2,4 m



## Our 8-foot Shed-in-a-Box® Now Available in Camouflage



**HIGH GRADE STEEL FRAME - For Strength and Durability**  
1-3/8 in. / 3,5 cm diameter steel construction with premium powder coat finish resists chipping, peeling, rust and corrosion.



**QUALITY FABRIC COVER - For Protection**  
Printed with genuine TrueTimber® Camouflage pattern. Polyester is UV-treated inside and outside with added fade blockers and anti-aging agents.



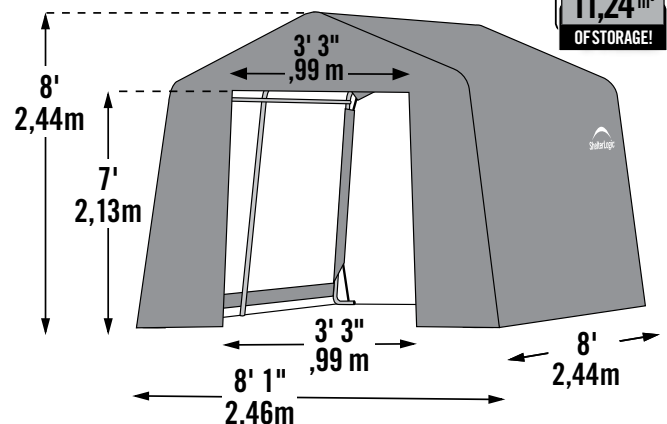
**SHELTERLOCK® STEEL STABILIZERS - For Sturdiness**  
Patented ShelterLock® 3X Steel Stabilizers ensure rock solid stability and prevents racking. This means a tougher, more durable shelter.



**EASY-SLIDE™ COVER RAIL - For Lasting Wear**  
Best-in-class feature for continuous tightening for a long-lasting cover. This locks down and squares up the frame.



Ready-for-Retail High-Impact  
Full Color Graphic Packaging



## Model #70198

### Package Includes:

- Steel Frame
- (1) Fitted Camouflage Cover with Double-Zippered Front Door
- (4) 15" / 38,1 cm Auger Anchors
- Easy Step-by-Step Instructions

### Packaging Specifications:

- Container qty: 552 (40')
- Total box weight: 69.9 lbs. / 31,7 kg
- Box dimensions: 41.9 x 20.1 x 7.7 in. 106,5 x 51 x 19.5 cm



**Great For:** Motorcycles, ATVs, Lawn/Garden, Tractors, Snowmobiles, Bulk Storage