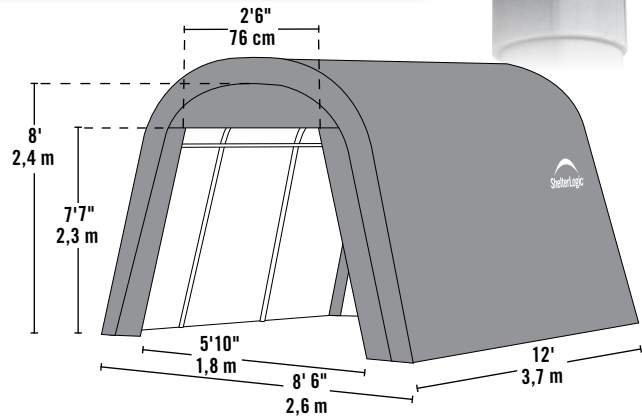


ShelterCoat™

Custom Garage Program

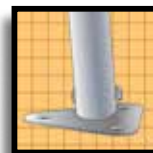
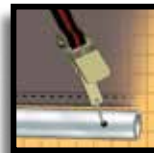
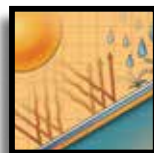
Build your Own All-Season Shelter

Thousands of options to custom fit your storage needs.



Strong, Sturdy & Durable

- Patented ShelterLock® frame stabilizers at every rib connection for rock-solid strength.
- Frame constructed of heavy duty 1-5/8 in. diameter steel.
- Premium powder coat finish protects frame from corrosion and rust.
- Ripstop-tough advanced engineered polyethylene fabric cover is UV treated inside, outside, and in between.
- Seams are heat welded, not stitched; 100% waterproof.
- Ratchet tensioning system and Easy-Slide cover rails keep the cover smooth and taut.



8 x 12 x 8 ft.

Unit Specifications:

- 178 lbs. / 80.7 kg Total Weight
- 1-5/8 in. / 4 cm All steel frame
- 15 in. / 38.1 cm Auger anchors
- (2) Double-zippered door panels
- Additional anchors sold separately
- Cover, End Panels and Frame are covered by a 1 year Limited Warranty.

Kit Dimensions:

- **Box 1:** 62.2 x 23.2 x 5.1 in.
158 x 59 x 13 cm
- **Box 2:** 60.6 x 19.3 x 3.5 in.
154 x 49 x 9 cm
- **Box 3:** 28.7 x 16.3 x 5.9 in.
73 x 42 x 15 cm

9 oz. per m² Polyethylene

Gray 76813

Green 76814

