

90389

Safe and Easy to Use

Provides safe and easy removal of fireplace ash and embers.

Sturdy Construction

All steel bucket is suitable for indoor or outdoor use.

Flexible Handle

Makes for easy handling and storing.

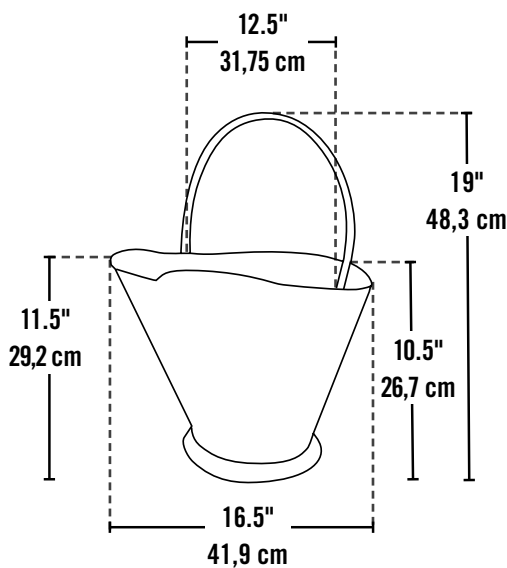
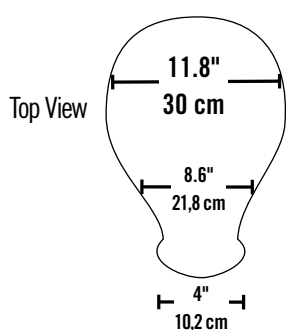
Convenient Design

Wide top for hassle-free filling and disposing of wood burning debris.



**MATCHING
FIREPLACE
TOOLSET
AVAILABLE**

The functional coal hod is a great additional to any fireplace hearth with its classic black finish. With a flexible, easy carry handle and all steel construction, the bucket will make clean-up quick, easy, and safe.



Package Includes

1 Bucket

Product Specifications (est.)

16.5 x 12.5 x 11.5 in. 41,9 x 31,8 x 29,2 cm

Packaging Details (est.)

Container Qty.	1638
Total Weight	4.8 lbs. / 2,2 kg
Box Dimensions	17.1 x 12.99 x 12 in. 43,5 x 33 x 30,5 cm

