

90392

Decorative Design

Attractive edging makes an attractive and functional addition to any room.

Steel Frame

Sturdy square tube steel framing holds logs in place.

No Assembly Required

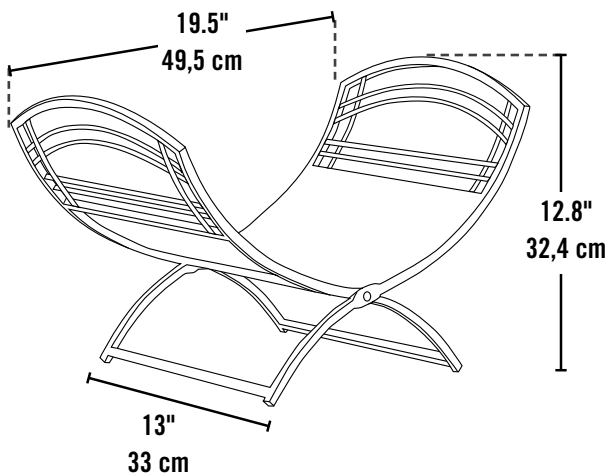
Ready-to-go out of the box.

Fireside Storage

Keeps logs within reach.



Functional and stylish, the classic log holder makes a great complement to any room.
Keeps logs neat, tidy, and within reach.



Package Includes

(1) Steel Log Holder
Care and Use Instructions

Product Specifications (est.)

19.5 x 13 x 12.8 in.	49,5 x 33 x 32,4 cm
----------------------	---------------------

Packaging Details (est.)

Container Qty.	2034
Total Weight	10.6 lbs. / 4,8 kg
Box Dimensions	13.6 x 5.3 x 20.3 in. 34,5 x 13,5 x 51,5 cm

