

SEASON IT™

# FIREWOOD SEASONING SHED™

5x3.5x5 ft./1,5x1,1x1,5 m



## 90395

### Translucent Cover

Polyethylene translucent fabric allows more light in and retains heat to dry wood faster. Zippered front panel for easy stacking and access to wood.

### Ratchet Tite™ Tensioning

for solid cover anchoring.



HOLDS UP TO  
**1/2**  
CORD

### Premium Steel Frame

Heavy duty 1 3/8" /3,4 cm tubular steel construction. Premium powder coat finish resists chipping, peeling, rust and corrosion.

### Vapor Barrier Flooring

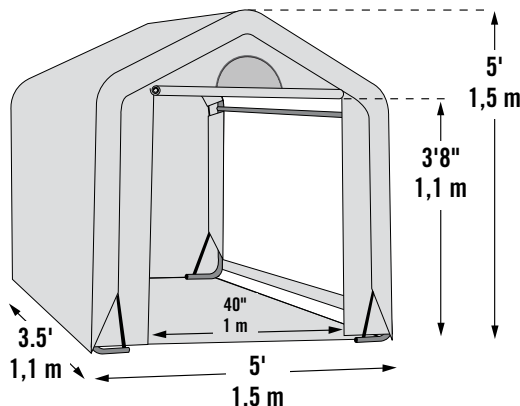
Heavy duty polyethylene fabric floor blocks ground moisture and keeps condensation down.



**Seasons 2X faster than open air drying.\***

An innovative seasoning shed that creates burnable wood fast. Specifically designed to season wood used for indoor fireplaces, outdoor fire pits, chimineas, outdoor wood boilers...and more.

**PATENT  
PENDING**



**SIZED TO FIT PALLETS OR  
WOOD RACKS  
(RACKS SOLD SEPARATELY)**

### Package Includes

- 34 mm Steel Frame
- Translucent Polyethylene Cover
- (1) Zippered Polyethylene Front Panel with Screen Vent
- (1) Polyethylene Rear Panel with Screen Vent
- Floor Vapor Barrier
- Ratchet Tie-Downs
- 15"/ 38,1 cm Auger Anchors
- Bungee Cords
- Easy Step-by-Step Instructions

### Product Specifications

5x3.5x5 ft.      1,5x1,1x1,5 m

### Packaging Details

Container Qty. (Est.)	960	
Total Weight	44 lbs.	19,6 kg
Box Dimensions	41.1 x 15 x 6.7 in.	104.5 x 38 x 17 cm



\* Estimated drying time dependent upon geography and season. Preliminary results. Data subject to change.