

SEASON IT™

FIREWOOD SEASONING SHED™

10 x 10 x 8 ft. / 3 x 3 x 2,4 m



90396

HOLDS UP TO
3.5
CORDS

Translucent Cover

Polyethylene translucent fabric allows more light in and retains heat to dry wood faster. Zippered front and rear panels for easy stacking and access to wood.

Ratchet Tite™ Tensioning

for solid cover anchoring.



Premium Steel Frame

Heavy duty 1 3/8" / 3,4 cm tubular steel construction. Premium powder coat finish resists chipping, peeling, rust and corrosion.

Vapor Barrier Flooring

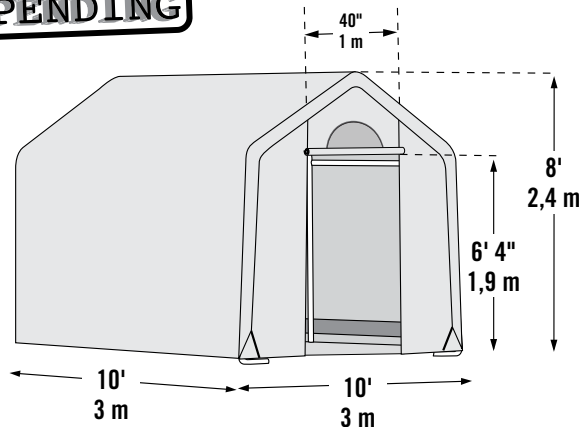
Heavy duty polyethylene fabric floor blocks ground moisture and keeps condensation down.



Seasons 2X faster than open air drying.*

An innovative seasoning shed that creates burnable wood fast. Specifically designed to season wood used for indoor fireplaces, outdoor fire pits, chimineas, outdoor wood boilers...and more.

PATENT PENDING



SIZED TO FIT PALLETS OR WOOD RACKS
(RACKS SOLD SEPARATELY)

Package Includes

- 34 mm Steel Frame
- Translucent Polyethylene Cover
- (2) Zippered Polyethylene Door Panels with Screen Vents
- Floor Vapor Barrier
- Ratchet Tie-Downs
- 15" / 38,1 cm Auger Anchors
- Bungee Cords
- Easy Step-by-Step Instructions

Product Specifications

10 x 10 x 8 ft. 3 x 3 x 2,4 m

Packaging Details

Container Qty. (Est.)	484	
Total Weight	91 lbs.	41,3 kg
Box Dimensions	43.7 x 20.1 x 6.9 in.	111 x 51 x 17,5 cm

* Estimated drying time dependent upon geography and season. Preliminary results. Data subject to change.

