

**FIREWOOD
RACK-IN-A
BOX[®]**

ULTRA-DUTY

Ultimate Firewood Rack

12 ft. / 3,7 m



90473

U-Channel Tube Design

Ultra Duty 1 x 2 in. / 2,5 x 5,1 cm Rectangular U-Channel Tube delivers optimal strength and stability.

I-Beam Reinforcements

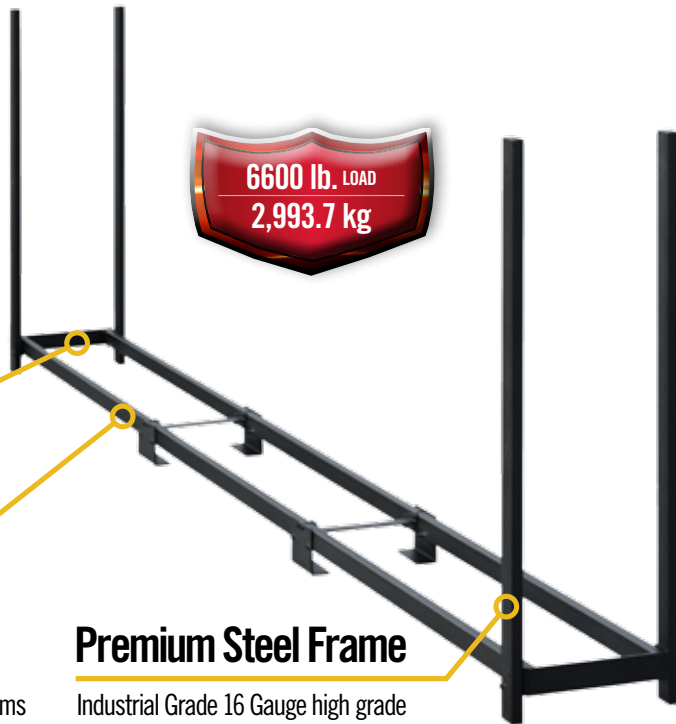
Reinforced I Beam spacers at each leg connection point keep the rack rock solid.

Premium Powder Coat Finish

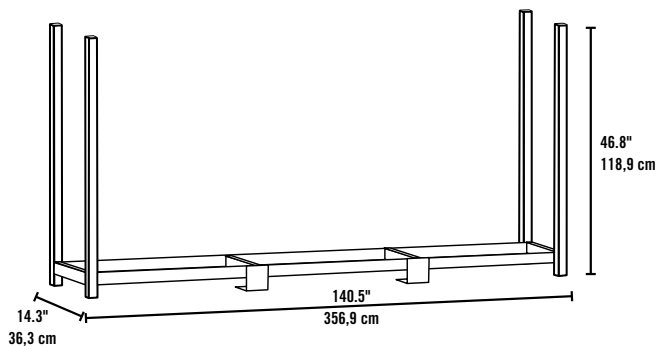
Baked in a premium powder coat finish that looks great performs better. Resists chipping, peeling, rust and corrosion.

Premium Steel Frame

Industrial Grade 16 Gauge high grade steel construction.



Easy assembly with just a 7/16" / 1,1 cm wrench — goes together in minutes. Open air design keeps wood off ground preventing insect infestation, mold growth and rotting. Excellent ventilation makes a great year round seasoning rack.



Package Includes

- 1 x 2 in. / 2,5 x 5,1 cm Rectangular Steel Frame
- I-Beam Reinforcements
- Hardware Kit
- Easy step-by-step instructions

Product Specifications

140.5 x 14.3 x 46.8 in 356,9 x 36,3 x 118,9 cm

Packaging Details

Container Qty.	750	
Total Weight	63 lbs.	28,6 kg
Box Dimensions (Est.)	47,8 x 14 x 4,5 in	121,5 x 35,5 x 11,5 cm

