

FIREWOOD RACK-IN-A BOX[®]

ULTRA-DUTY

Ultimate Firewood Rack w/Cover

4 ft. / 1,2 m



90474



U-Channel Tube Design

Ultra Duty 1 x 2 in. / 2,5 x 5,1 cm Rectangular U-Channel Tube delivers optimal strength and stability.

I-Beam Reinforcements

Reinforced I Beam spacers at each leg connection point keep the rack rock solid.



Two Way Adjustable Cover

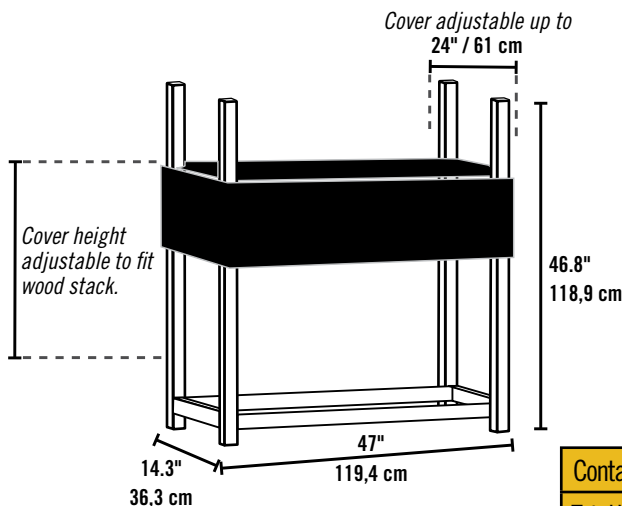
High quality 300D polyester fabric cover. Innovative design adjusts to fit cut wood up to 24"/61 cm. Easily slides up and down the frame with the height of the wood stack. Results - always dry usable wood.

Premium Steel Frame

Industrial grade 16 Gauge high grade steel construction with baked in a premium powder coat finish that looks great performs better. Resists chipping, peeling, rust and corrosion.



Easy assembly with just a 7/16" / 1,1 cm wrench – goes together in minutes. Open air design keeps wood off ground preventing insect infestation, mold growth and rotting. Excellent ventilation makes a great year round seasoning rack.



Package Includes

- 1 x 2 in. / 2,5 x 5,1 cm Rectangular Steel Frame
- 2 Way Adjustable Polyester Cover
- I-Beam Reinforcements
- Hardware Kit
- Easy step-by-step instructions

Product Specifications

47 x 14.3 x 46.8 in	119,4 x 36,3 x 118,9 cm
---------------------	-------------------------

Packaging Details

Container Qty.	1305	
Total Weight	35 lbs.	15,9 kg
Box Dimensions (Est.)	47,8 x 14 x 2,4 in	121,5 x 35,5 x 6,2 cm

