

**FIREWOOD  
RACK-IN-A  
BOX<sup>®</sup>**

**ULTRA-DUTY**

# Ultimate Firewood Rack w/Cover

8 ft. / 2,4 m



**90475**

**4400 lb. LOAD**  
**1,995.8 kg**



## Two Way Adjustable Cover

High quality 300D polyester fabric cover. Innovative design adjusts to fit cut wood up to 24"/61 cm. Easily slides up and down the frame with the height of the wood stack. Results - always dry usable wood.

## U-Channel Tube Design

Ultra Duty 1 x 2 in. / 2,5 x 5,1 cm  
Rectangular U-Channel Tube delivers optimal strength and stability.

## Premium Steel Frame

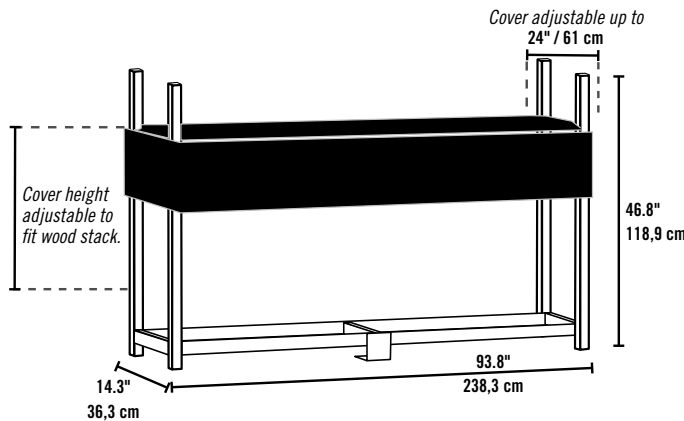
Industrial grade 16 Gauge high grade steel construction with baked in a premium powder coat finish that looks great performs better. Resists chipping, peeling, rust and corrosion.

## I-Beam Reinforcements

Reinforced I Beam spacers at each leg connection point keep the rack rock solid.



Easy assembly with just a 7/16" / 1,1 cm wrench – goes together in minutes. Open air design keeps wood off ground preventing insect infestation, mold growth and rotting. Excellent ventilation makes a great year round seasoning rack.



## Package Includes

- 1 x 2 in. / 2,5 x 5,1 cm Rectangular Steel Frame
- 2 Way Adjustable Polyester Cover
- I-Beam Reinforcements
- Hardware Kit
- Easy step-by-step instructions

## Product Specifications

93.8 x 14.3 x 46.8 in    238,3 x 36,3 x 118,9 cm

## Packaging Details

Container Qty.	960	
Total Weight	51 lbs.	23,1 kg
Box Dimensions (Est.)	47.8 x 14 x 3 in	121,5 x 35,5 x 7,6 cm

