

CARPORT

10'W x 15'L x 7'H
3,7 x 4,6 x 2,1 M



Multi-use shelter and carport – perfect for vehicles, boats, tractors, and outdoor picnic areas and patio furniture.



Model: CPH101507

Product:

Exterior Dimensions:

120" W x 183.25" L x 98.4" H
305 cm W x 465 cm L x 250 cm H

Interior Dimensions:

116" W x 183.25" L x 96.4" H
295 cm W x 465 cm L x 245 cm H

Storage Area:

148 sq. ft. / 13.7 sq. m
1110 cu. ft. / 31.4 cu. m



DESIGNED FOR STRENGTH

2 in. / 5,1 cm square tube / 15-gauge wall thickness delivers wind and snow load strength and stability. Premium black powder coat finish resists rust and corrosion. Rib spacing: 4.5 ft. / 1,3 m.



DESIGNED FOR EASY INSTALLATION

Slip-fit frame connections with pilot holes and self-drilling screws for easy assembly. Ready-to-build right out of the box.

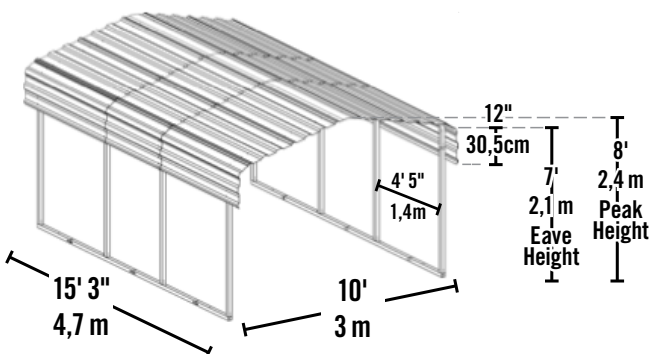


BUILT-TO-LAST ROOF

Horizontal roof panels with 29-gauge painted galvanized steel for corrosion resistance. Rounded eaves for additional protection from elements. 12 in. / 30,5 cm overhang at the gables. Eggshell finish.



Wind Speed	100 MPH*
Snow/Ground Load	35 PSF*
* Wind and snow loads given are for reference only and assume a securely anchored frame according to local building codes and ordinances. These have been calculated using combined snow and wind load provisions in accordance with ASCE 7-05.	



Packaging:

Total Weight:

443 lbs. / 202 kg

Shipping Dimensions:

3 reinforced cardboard boxes with wood pallet
 Box 1 : 128 lbs. / 58 kg
 70.9 x 22.3 x 4.1 in.
 180 x 56.5 x 10.5 cm
 Box 2 : 151 lbs. / 69 kg
 70.9 x 22.3 x 4.1 in.
 180 x 56.5 x 10.5 cm
 Box 3 : 164 lbs. / 75 kg
 70 x 30.3 x 3.5 in.
 178 x 77 x 9 cm
 Pallet: 72 x 30.3 x 17 in.
 183 x 76,9 x 43,2 cm

• 48' Trailer Qty.: 69

• 40' Container Qty.: 54

