

CARPORT

10'W x 24'L x 7'H
3 x 7,3 x 2,1 M



Multi-use shelter and carport – perfect for vehicles, boats, tractors, and outdoor picnic areas and patio furniture.



10 x 15 x 7 ft. model shown



Model: CPH102407
Product:

Exterior Dimensions:
290.8" L x 120" W x 98.4" H
738,6 x 305 x 250 cm

Interior Dimensions:
290.8" L x 116" W x 96.4" H
738,6 x 295 x 245 cm

Storage Area:
235 sq. ft. / 21,8 sq. m
1801 cu. ft. / 51 cu. m

Recommended Foundation:
11 x 25 ft. / 3,4 x 7,6 m



DESIGNED FOR STRENGTH

2 in. / 5,1 cm square tube / 15-gauge wall thickness delivers wind and snow load strength and stability. Premium black powder coat finish resists rust and corrosion. Rib spacing: 4.5 ft. / 1,3 m.



DESIGNED FOR EASY INSTALLATION

Slip-fit frame connections with pilot holes and self-drilling screws for easy assembly. Ready-to-build right out of the box.

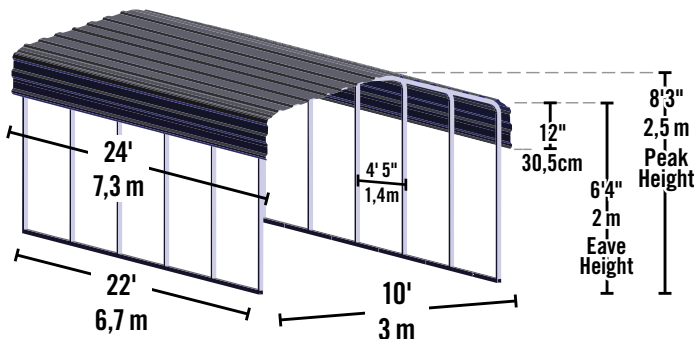


BUILT-TO-LAST ROOF

Horizontal roof panels with 29-gauge painted galvanized steel for corrosion resistance. Rounded eaves for additional protection from elements. 12 in. / 30,5 cm overhang at the gables. Eggshell finish.

10 YEAR LIMITED WARRANTY

GALVANIZED STEEL



Wind Speed	100 MPH*
Snow/Ground Load	35 PSF*
* Wind and snow loads given are for reference only and assume a securely anchored frame according to local building codes and ordinances. These have been calculated using combined snow and wind load provisions in accordance with ASCE 7-05.	

Packaging:

Total Weight:
753.2 lbs. / 341,7 kg

Shipping Dimensions:
7 reinforced boxes on wood pallet

Box 1: 138.5 lbs. / 62,8 kg
71.1 x 22.3 x 4.3 in.
180,6 x 56,6 x 10,9 cm

Box 2: 135.1 lbs. / 61,3 kg
71.1 x 22.3 x 4.3 in.
180,6 x 56,6 x 10,9 cm

Box 3: 164 lbs. / 75 kg
70 x 30.3 x 3.5 in.
178 x 77 x 9 cm

Box 4&5: 70.3 lbs. / 31,5 kg
70.9 x 19.7 x 2.2 in.
180 x 50 x 5,5 cm

Box 6&7: 61 lbs. / 28 kg
60.5 x 30.3 x 2 in.
153.7 x 77 x 5,1 cm

Total Pallet: 72 x 30.3 x 25 in.
183 x 77 x 63,5 cm

40' Container Qty.: TBD
48' Trailer Qty.: TBD